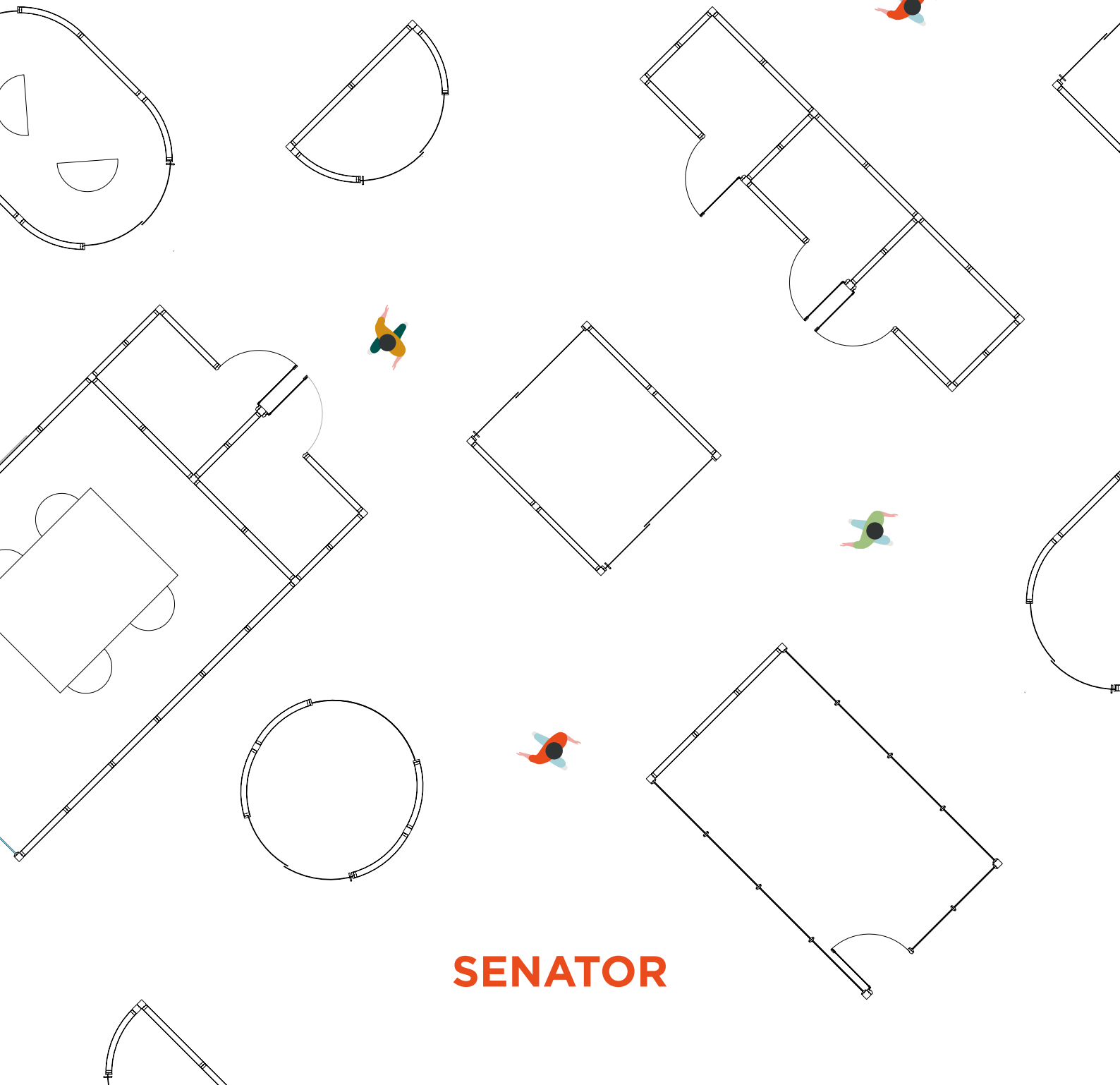


CellPod

Powered By Privacy



SENATOR

Collaboration is seen as a key goal for the modern workplace and environments have become more open plan to facilitate this.

To work effectively people are looking for defined spaces to work individually with privacy or to come together as a team.

CellPod creates fully demountable rooms, within an open plan space, that provide all the architectural qualities and services that you would normally associate with a traditionally built environment, from a furniture system.

CellPod defines space and provides the privacy and support for the immediate task at hand.

THE EVOLUTION OF A MODERN WORKSPACE

CellPod provides an excellent solution when creating privacy and collaboration spaces within open plan work environments.

They are designed as freestanding units and feature a structural framework with a demountable panel system so they are simple to install and reconfigure as needs change within an organization. They simply 'plug and play' so no specialist trades are required to install or move them, as such they offer significant, long turn cost benefits when compared to traditional on site construction solutions.



Creative Space



Group Video Conference



Personal Video Conference



Presentation Space



Group Meetings



One To One Meetings



Concentrated Task Space



Private Telephone Call Space



CellPods

A POD FOR EVERY PURPOSE



ROUND PERSONAL POD

As workplace environments have migrated to a more open style this can cause issues of what to do and where to go when you need to make that private phone call or a video conference. The Personal Pod is the solution, it can be easily sighted close to workstations thanks to its compact size and provides the visual and acoustic privacy you need. Lighting and airflow are engaged automatically as you enter the Pod and a small work shelf and power sockets provide everything you need.



SQUARE PERSONAL POD

Providing all of the same privacy benefits of the Round Personal Pod, the versatility of the CellPod systems ensures they can slot into any office aesthetic, easily and without any structural consideration within the boundaries.



FOCUS POD

Sometimes you need to move away from your workstation, perhaps to have a one to one chat with a colleague or to gain some seclusion to focus on a specific task.

The Focus Pod provides this, it can accommodate two people in a lounge setting or an individual workstation and task chair. Lighting and airflow are engaged automatically as you enter the Pod.



MEETING POD

Small groups working together are great at solving problems and being creative, but this process can be very disruptive to those around them. The Meeting Pod provides the ideal space for four people to come together for a group video conference or conference call or to brainstorm the solution. This Pod can be supplied with a fixed acoustic ceiling or active Ceiling meaning it can be placed anywhere whilst lighting and airflow are engaged automatically as you enter the Pod.

DEFINE YOUR SPACE

You design, we create. Designed to integrate seamlessly within its surroundings, CellPod is a freestanding, fully demountable and reconfigurable furniture system, engineered to create unique environments for the office or workspace. Embracing the essence of sustainability CellPod virtually eradicates the waste associated with semi-permanent space management methods.

CellPod provides an excellent alternative when creating privacy and collaboration spaces. Utilizing a combination of simple architecture, with Glazed, TFL, Laminate or Fabric panels, a vast array of space permutations are possible.

No pre-set modules or sizes - Working together we can design the perfect CellPod environment, fully compliant with all workplace and building regulations internationally and tailored to suit your business needs.



Creative Space



Group Video Conference



Personal Video Conference



Presentation Space



Group Meetings



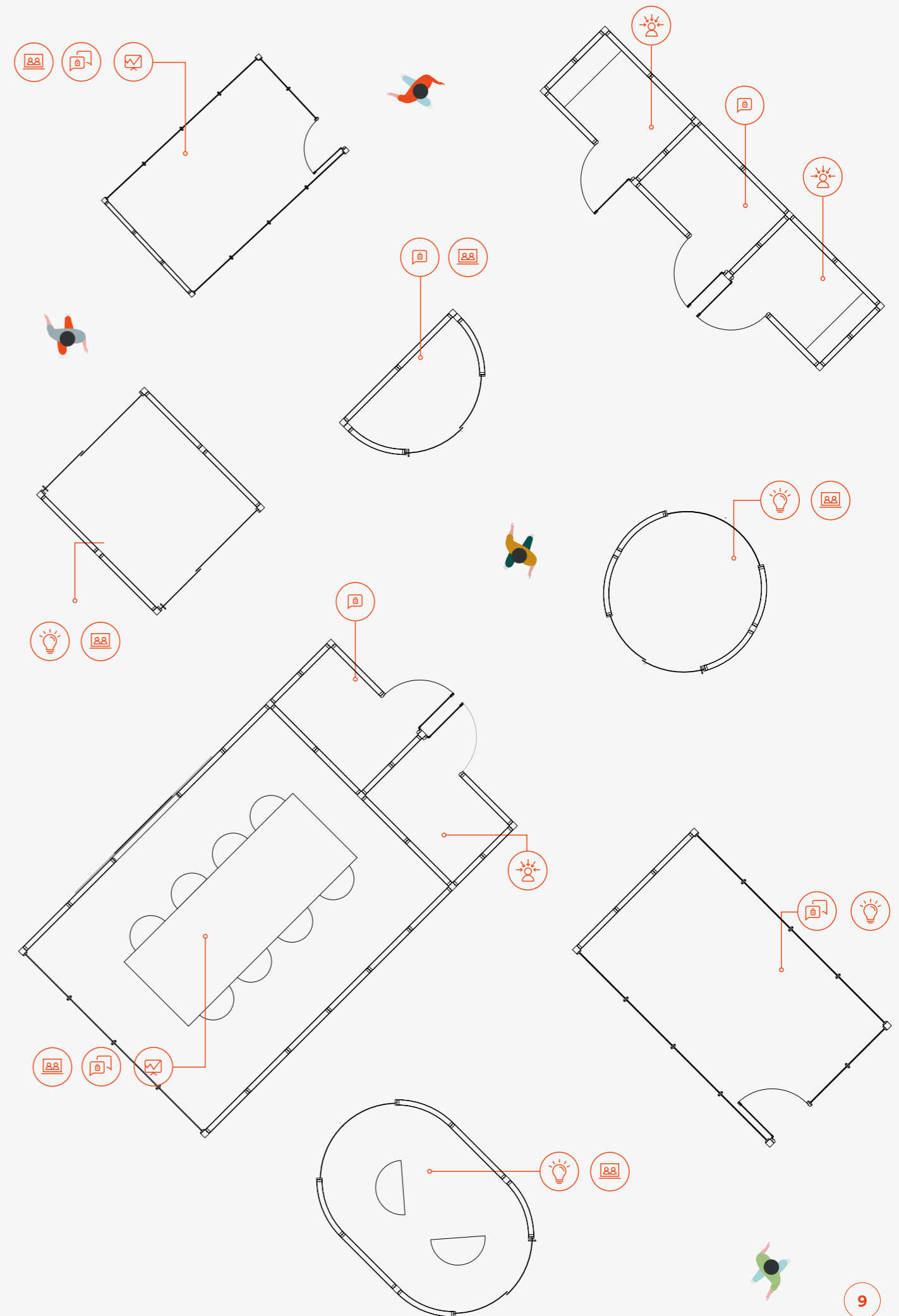
One To One Meetings



Concentrated Task Space



Private Telephone Call Space





A PLACE FOR PRIVACY

CellPod creates a focused space, that allows for concentration by eliminating distractions without any disconnection from the surrounding environment, whilst at the same time eliminating any distraction for those outside the Pod thanks to the excellent acoustic properties of CellPod.

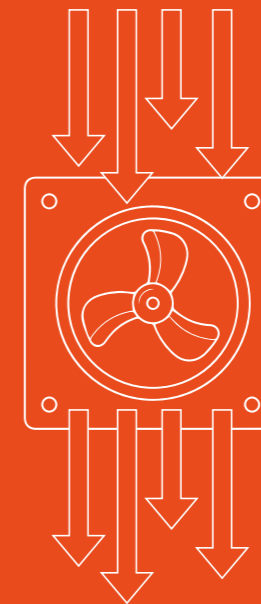
CellPod provides the optimal solution to allow for the creation of new spaces to be deployed throughout the workplace with ease. CellPod is available in varying sizes, Smaller CellPods create focus areas within the workspace that allow for individual working or even one to one meetings. While, larger CellPods create meeting spaces for collaborative working.



CONTROL YOUR CLIMATE

CellPods are stand-alone units and do not need integrating into a building's M&E infrastructure. As standard all Pods are provided with an air handling system that refreshes the air within the Pod maintaining a healthy environment.

The air handling within the Pods is engaged automatically when you enter the Pod via PIR activation, each Pod has a balanced air handling system based on the predicted maximum occupancy of the Pod that will exchange the air inside the Pod with the air in the surrounding environment. Equalizing the temperature and refreshing the air in an unobtrusive way at levels that exceed the prescribed standards for air exchange.



AIR HANDLING

The Air Flow Fan Circulation system is configured to suit both the application and occupancy levels, the fan system transfers and circulates air from the mainfield into the CellPod venting unwanted Co2 and equalising the temperature, inside to outside.

For our standard Pod configurations these are the total airflow numbers:-Total Airflow as follows:-

Square and Round Personal Pod 21.5 l/s (78m³/h) - 45cfm

Focus Pod 43 l/s (155m³/h) – 90cfm

Meeting Pod 75 l/s (270m³/h) – 158cfm



OUR 'ACTIVE' CEILING

CellPod's Innovative 'active' patented ceiling cassette gives the occupiers an additional level of control with the ability to open the louvered ceiling system. (The design of the 'active' ceiling cassette is covered by US Patent 16171015.) The Active ceiling system has been developed to allow seamless integration into a building, it has been designed to provide the necessary failsafes to allow it to be used in workplaces around the world.

The default position for the active ceiling is to be closed to optimise its acoustic performance but it can be opened manually or will automatically open under the following circumstances regardless of power being available due to the inbuilt UPS battery operated actuators.

- 1 Using the internal switch the roof can be opened manually, after a period of 20 minutes the roof by default returns to its closed state.
- 2 In the event of a mains power failure to the Pod the roof automatically opens by default.
- 3 The integrated detector automatically opens the roof upon detection of heat.
- 4 The integrated detector automatically opens the roof upon detection of smoke.
- 5 Tampering with or the failure of the integrated detector automatically opens the roof.
- 6 The integrated detector can be integrated into the wider building fire strategy and building fire control system.

**CONTROL YOUR SOUNDSCAPE
WITH AN ACOUSTIC SPACE**

**SUPERIOR SOUND ABSORPTION PERFORMANCE
FOR YOUR PRIVATE SPACE.**

**AN ACOUSTIC SPACE
WITHIN A SPACE.**

WHAT IS YOUR SOUNDSCAPE?

One of the biggest reported distractions in the office is noise, a complaint that has been amplified since the recent open plan design trend.

Overheard conversations, telephones and the sounds from shared resources such as printers, all conflict with each other.

As we're gaining a greater appreciation for collaboration, hot desking has increased and collaborative areas have become commonplace, often only separated by a simple partition or screen.

As well as having a known negative impact on health and well being, research has shown that this kind of distraction has a major implication on productivity and in turn, a company's bottom line.

OUR ACOUSTIC SOLUTION

CellPod achieves high levels of acoustic performance without sacrificing comfort. By using the perfect balance of sound insulation, air and surface materials, the spaces provide the right level of privacy for internal and client meetings or telephone conversations, while retaining a natural feel.

CellPod systems are suitable for a wide range of environments, including banks, shops, car showrooms, Places of Learning and Offices.

SOUND ABSORPTION

Currently there is not an internationally standardised test method to establish the specific acoustic performance of a product like CellPod when used in an open plan office environment. Due to the flexibility of specification in terms of wall panel finishes the results would range, the floor covering that the Pod is located on would also have a significant impact.

The best way to establish the performance is to visit one of our showrooms and try them for yourselves.

CellPod uses the latest innovations in materials in terms of panel construction to optimise its acoustic performance and as new solutions come to market we incorporate them to further enhance its performance. Similarly we use glass as our preferred glazing option as this performs better acoustically than acrylic panels.

The ceilings within our Pods are developed using an Ecophon Focus Ds system that has been shown to have class leading performance in terms of Noise Reduction Coefficient and Sound Absorption Average that has been independently verified, when compared to equivalent products.



AN OPEN STRUCTURE CREATING SECLUSION AND COLLABORATION SPACES WITHIN WORK ENVIRONMENTS.

Defining space can be more than a room with a door, sometimes to make a space work you need to make it a destination, somewhere people go to get something done. We have observed this as a growing trend in workplace design and felt that using some of the same principles and aesthetics that drove the development of CellPod we could deliver something better. Cabana is a modular demountable system that defines space.

As a modular system you can select what type of wall construction you want, each wall of Cabana can be different if you like. The main extrusions are wrapped in an Oak foil to give a more custom built look. Cabana can be specified with a closed acoustic ceiling with integrated lighting or with a slated upholstered fin ceiling.





A NEW SPACE DEFINITION

Moving away from your regular workstation to a defined space to have an impromptu meeting, share data on a media wall or sketch out a new idea with colleagues on a dry wipe wall. Cabana provides the space for this to happen, the fact you moved a short distance from your workstation to a different place gives your actions purpose and protects your colleagues from distraction allowing everyone to be more productive.

WALL OPTIONS

Each wall can be configured to suit any space and style.
Choose one wall option for each of the four sides of the room.



FABRIC WALL *

Fabric wall panels fully upholstered.



BACK PAINTED WALL *

White back painted glass is a clean and versatile wall you can write on.



GLAZED WALL

Three panels of toughened glass.



GLAZED WALL MANIFEST

Three panels of toughened glass with a chosen vinyl manifest.



AERO WALL ONE

Horizontal sections act as an open dividing wall, which one section left open for access.



AERO WALL TWO

Horizontal sections act as an open dividing wall, which creates a separation without being obstructive.

WALL OPTIONS

Each wall can be configured to suit any space. Choose one wall option for each of the four sides of the room.



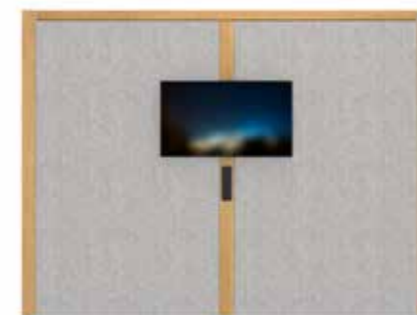
OPEN WALL

An open door module would be used as a primary entrance.



SOFT WALL

Fabric curtain gives an easy and simple solution to dividing walls for privacy.



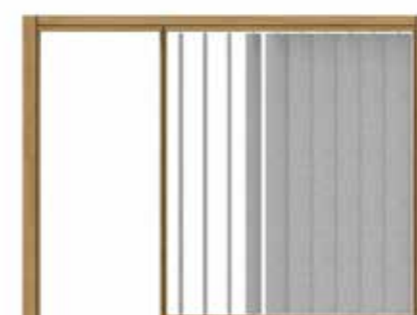
TECH WALL FABRIC *

A media output benefits in work productivity.



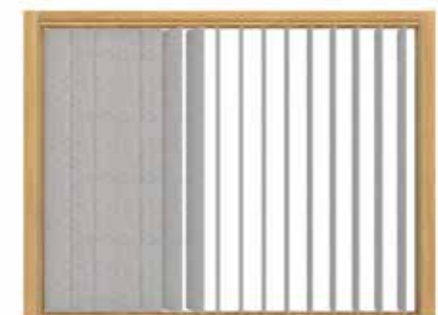
TECH WALL BACK PAINTED GLASS *

A media output benefits in work productivity, with a wall you can write on.



LOUVRE WALL ONE

Vertical blades on a single pivot can be rotated individually to create fully of partially opened wall with one section left open for access.



LOUVRE WALL TWO

Vertical blades on a single pivot can be rotated individually to create fully of partially opened wall.



TECHNICAL SPECIFICATION CELLPODS

The ability to adapt a space to suit your needs and to create an enjoyable, engaging, habitable working environment is of the utmost importance. CellPod provides you the tools you need to transform your environment into the perfect place for creativity and productivity to prosper.

Our offer to you of completely bespoke, tailor made solutions means you get what you want and what you need. CellPod is completely reconfigurable allowing you to advance your office along with your company. With every decision down to you, from size to digital connectivity options, you need not search further than CellPod.

The various material elements that go to make up CellPod are each in their own right best in class be it the doors, the ceilings the make up of the solid panels with acoustic core material to the technology:- air handling, power and data provision.

STRUCTURAL FRAMEWORK

Aluminum alloy, 6063-T6

FRAME

Epoxy powder coated finish White RAL 9010 & Black RAL9005.

FABRIC OPTIONS

Camira Blazer Lite, Blazer & Synergy.

SOLID PANELS

White TFL, Back painted glass.

GLASS

Aluminum frame with gasket surrounds 3/8" thick toughened safety glass (toughened to BS EN12150).

PIVOT DOOR

2" Aluminum framed pivot door - color to suit. Double glazed safety glass (toughened to BS EN12150). Satin Stainless grade 304 sprung rose handle.

SLIDING DOOR

3/8" safety glass (toughened to BS EN12150). Satin Stainless grade 304 pull handle.

CEILING

Ecophon Focus DS concealed suspended ceiling tested according to EN ISO354

LIGHTING

- 24" x 24" LED Light Panel 3000-6000K 40w IP20

- 38°/70° LED Downlight 2700-4000K 5.2w IP65

AIRFLOW

Airflow fans 160-380m³/h IP44 (Dependant on Pod size)

ACOUSTICS

*Performance up to 35 dBa (in a controlled test environment)

OPENING ROOF PATENT

Patent Pending No. GB1718165.2

USA UL STANDARDS

FPDU, UL962A, UL1286

ENVIRONMENTAL

	Recyclability%	Recycled %
Acoustic Ceiling Tiles	100	70
Glass	100	100
Acoustic Material	100	85
Fabric	100	100
Aluminum	100	100



FOUR PERSON POD

CellPod creates a focused space, that allows for concentration by eliminating distractions without any disconnection from the surrounding environment. Four person Pods can be used for collaborative meetings, sharing ideas or for privacy during one to one meetings.



FEATURES

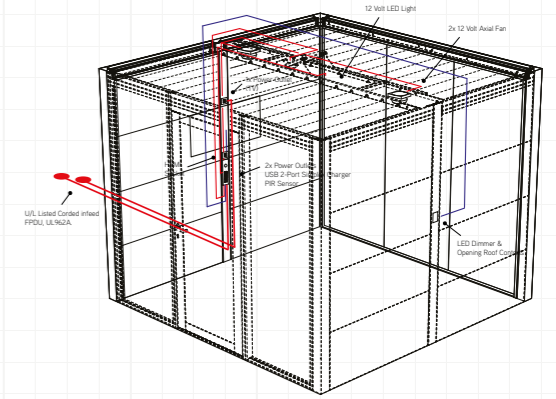
- 2x Power Outlets, 6ft Cord
- 1x USB 2-Port Simplex Charger
- 1x LED Light Panel
- 1x LED Dimmer Switch
- 1x PIR Sensor
- 2x Axial Fan
- 1x Smoke/Heat Detector
- 1x Opening Roof Switch (if specified)

TECHNICAL SPECIFICATION

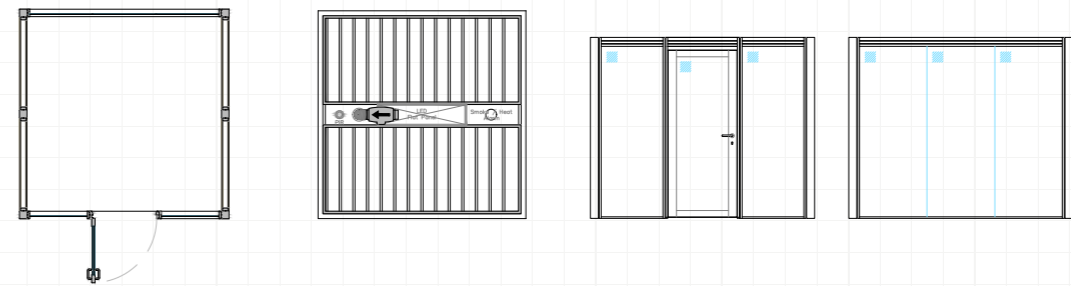
Measurement:
110" (9'-2") x 110" (9'-2") x 89" (7'-5") (99.5" with louvres open)

Door:
Aluminum framed double glazed pivot door to the front can be configured on left, right & central. Thumb turn and cylinder lock are also available.

Room occupancy:
2-4 persons.



DIMENSIONS



TWO PERSON FOCUS POD

CellPod creates a focused space, that allows for concentration by eliminating distractions without any disconnection from the surrounding environment. Two person Pods can be used for individuals working together, solo working or for privacy during one to one meetings.



FEATURES

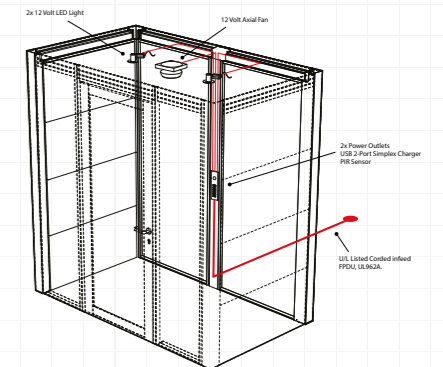
- 2x Power Outlets, 6ft Cord
- 1x USB 2-Port Simplex Charger
- 2x LED Light
- 1x PIR Sensor
- 1x Axial Fan

TECHNICAL SPECIFICATION

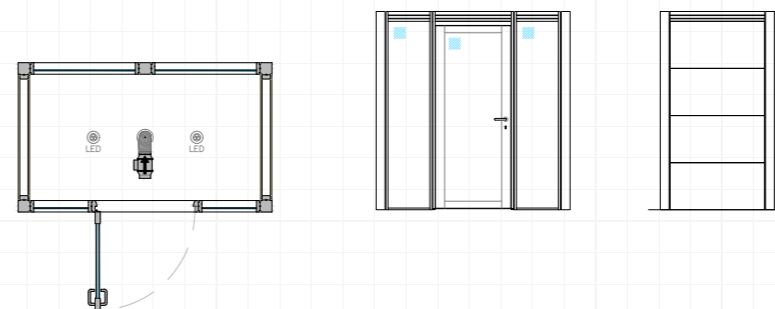
Measurement:
87" (7'-3") x 51" (4'-3") x 89" (7'-5") (91" including airflow system)

Door:
Aluminum framed double glazed pivot door to the front can be configured on left, right & central. Thumb turn and cylinder lock are also available.

Room occupancy:
2 persons.



DIMENSIONS





ROUND TELEPHONE POD

CellPod creates a focused space, that allows for concentration by eliminating distractions without any disconnection from the surrounding environment. One person Pods can be used for individuals working or for privacy when making phone calls.



FEATURES

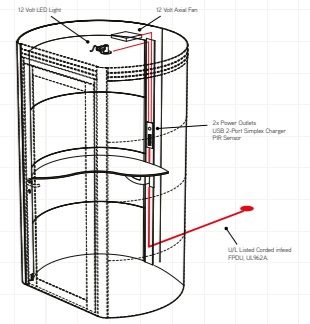
- 2x Power Outlets, 6ft Cord
- 1x USB 2-Port Simplex Charger
- 1x LED Light
- 1x PIR Sensor
- 1x Axial Fan

TECHNICAL SPECIFICATION

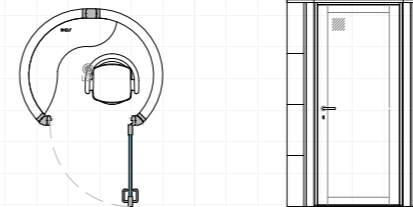
Measurement:
59" (4'-11") x 49" (4'-1") x 89" (7'-5") (91" including airflow system)

Door:
Aluminum framed double glazed pivot door to the front.
Thumb turn and cylinder lock are also available.

Room occupancy:
1 person



DIMENSIONS



SQUARE TELEPHONE POD

CellPod creates a focused space, that allows for concentration by eliminating distractions without any disconnection from the surrounding environment. One person Pods can be used for individuals working or for privacy when making phone calls.



FEATURES

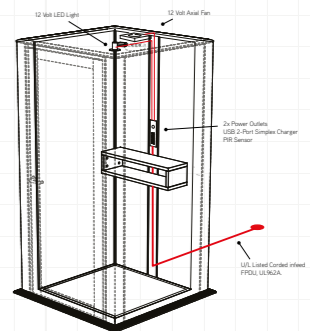
- 2x Power Outlets, 6ft Cord
- 1x USB 2-Port Simplex Charger
- 1x LED Light
- 1x PIR Sensor
- 1x Axial Fan

TECHNICAL SPECIFICATION

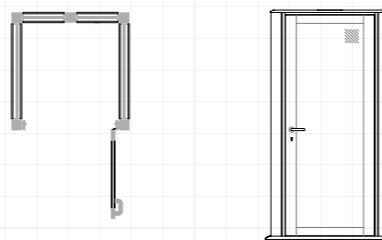
Measurement:
49" (4'-1") x 49" (4'-1") x 87" (7'-3") (89" including airflow system)

Door:
Aluminum framed double glazed pivot door to the front.
Thumb turn and cylinder lock are also available.

Room occupancy:
1 person.



DIMENSIONS

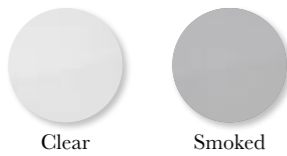


CELLPOD FINISH OPTIONS

Each CellPod is fully customizable with different upholstery options from our collection of fabrics. The exterior of every CellPod features either a single full length upholstered panel or four stacked upholstered panels stretching from the top of the unit, down to the base.

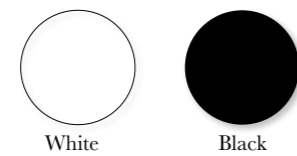
The interior also features upholstered panels, allowing for greater choice. These panels help reduce acoustic disruptions in the open office, allowing for greater focus and productivity. Available fabrics from Camira include Blazer, Blazer Lite, and Synergy.

Glass Panels

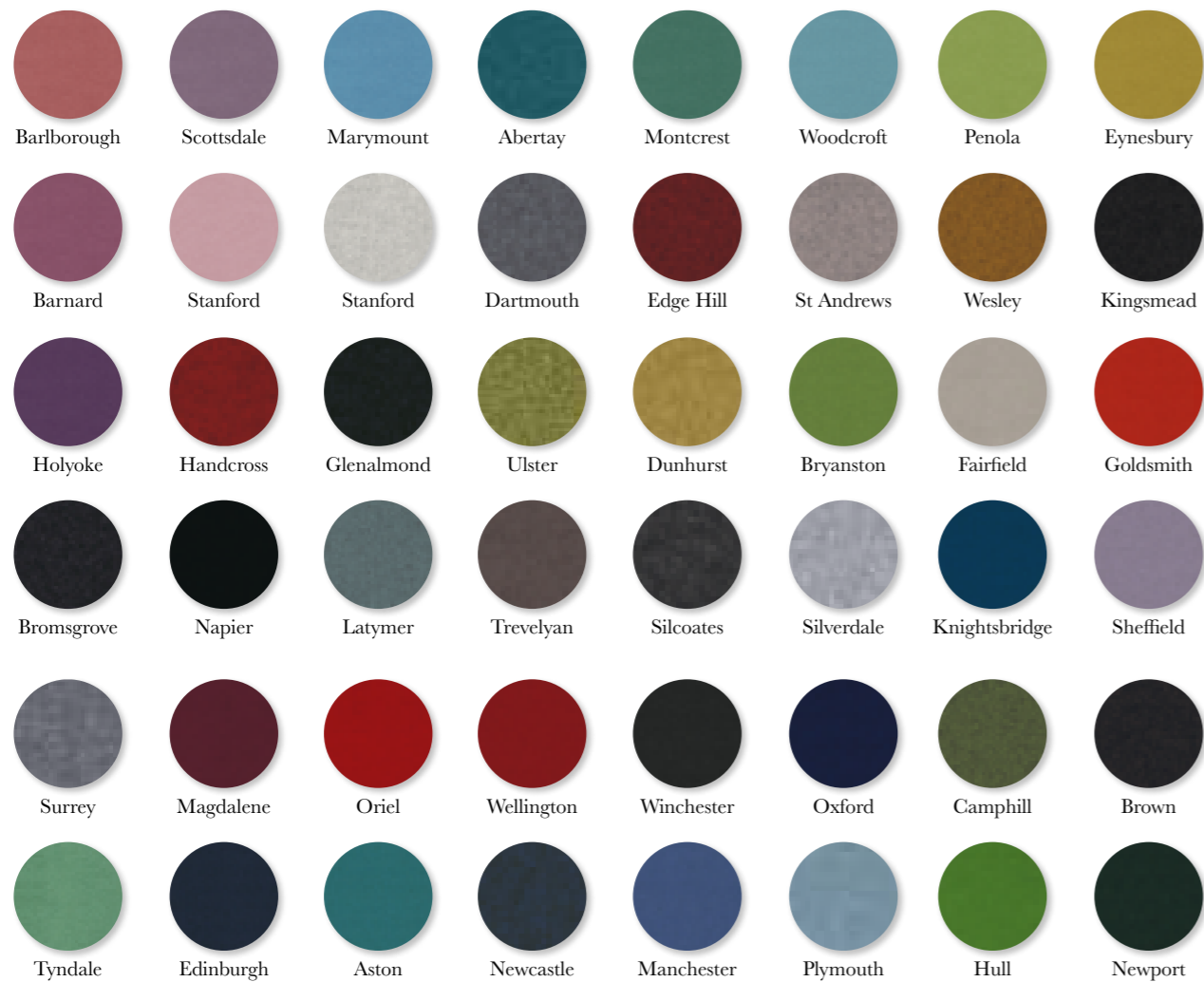


Frame Finishes

*Other colors available on request



Fabric Options (Camira Blazer)



CellPods

Powered By Privacy

Part of The Senator Group

8.19 | Ed.1

www.thesenatorgroup.com

4111 N. Jerome Road
Maumee Ohio 43537



SENATOR