

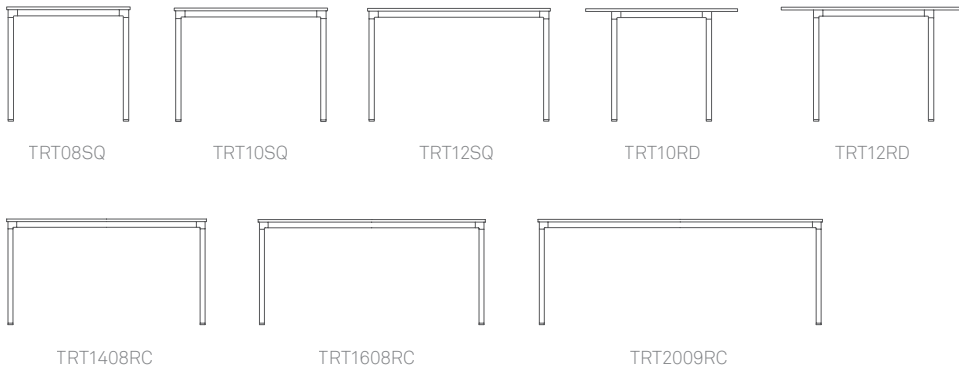


Turo Tables

Design by Allermuir

The bezels of vintage dive watches inspired Turo's slim fluted leg profile, which in turn have been crafted with the same precision. The icosagon shaping of the leg adds a subtle focal point without disrupting the simplicity of its silhouette. Available as square, rectangular and

round tables in varying sizes, the desire was to create a simple yet stylish table for everyday use in every type of environment.



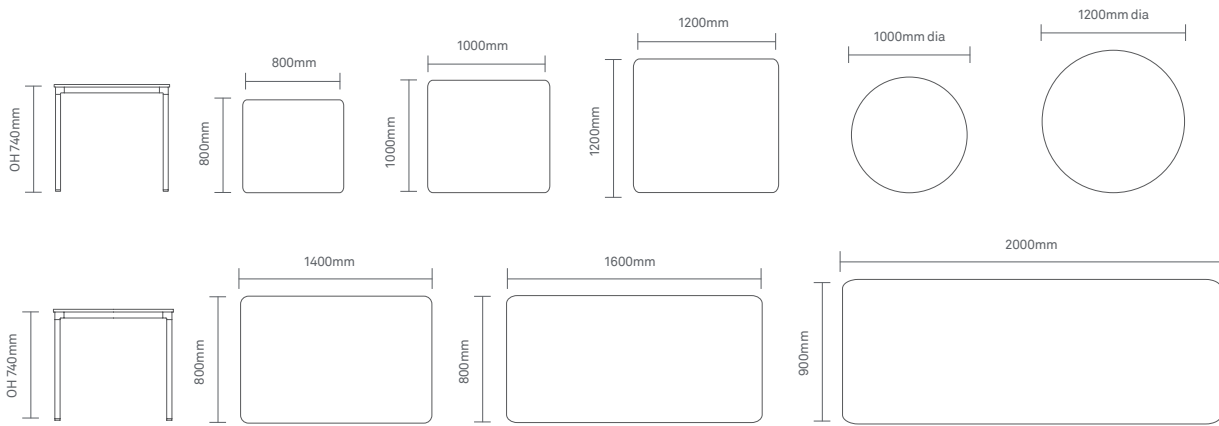
Design Allermuir

Our team of talented in house designers are responsible for creating elegant, innovative furniture designs which not only look beautiful, but minimise the impact on the world around us.

Standard Features

- 18mm Laminate faced Plywood core top
- 18mm Laminate faced MDF core top
- Aluminium Fluted legs and Steel frame under structure
- Plastic glides with levelling adjustment

Dimensions



Environmental Performance

Material Content

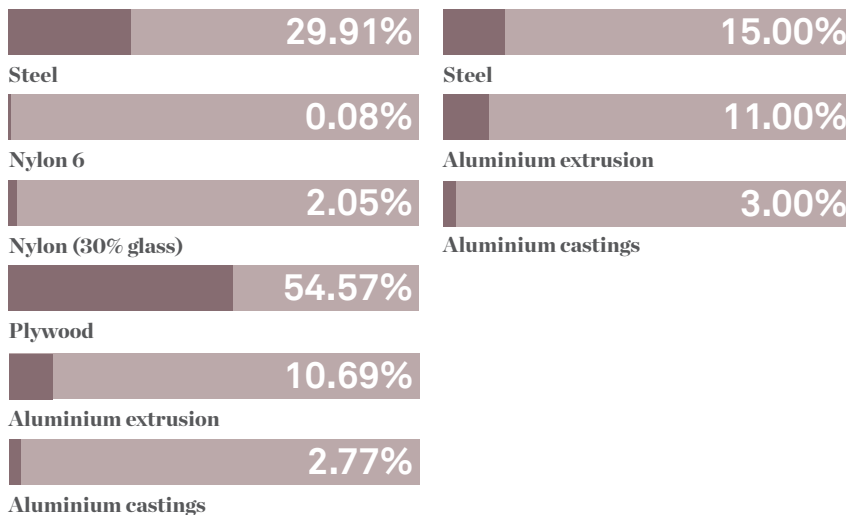
Components are constructed of the following

Recycled Content

Contains up to 29.00% of Recycled Material

Recyclability

The range is 99% recyclable



99%

Finish Options

Laminate faced Plywood core top with a clear edge profile

Laminate faced MDF core top with a clear edge

Aluminium Fluted legs and Steel frame under structure finished available in Black, White,

Sage or Pebble powder coat

Table edge profile can be stained in Solid Black or Solid White

Metal Frame / Leg Finishes



Black powder coat



White powder coat



Pebble powder coat



Sage powder coat

Edge Stains



Solid Black



Solid White



Clear